

V2V L and V3V L shutoff valves belong to the LINE ON LINE® family which means they can be connected to all the other components in series or in parallel. Available in the version for pipe-pipe connection with two push-in fittings, and in the version for thread-pipe connection with a brass nickel-plated male thread and a push-in fitting.

V2V is a two-way unidirectional valve, while V3V is a three-way valve with free discharge in the area around the control knob.

The locked version is probably the smallest available on the market.

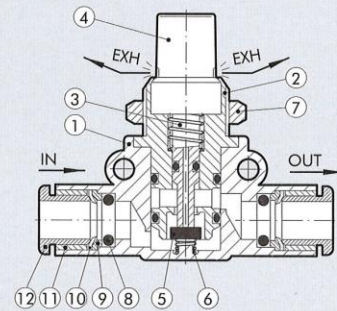
A lock is provided to ensure the valve is kept in the closed position during machine maintenance. The valve is supplied complete with a lock and two keys.



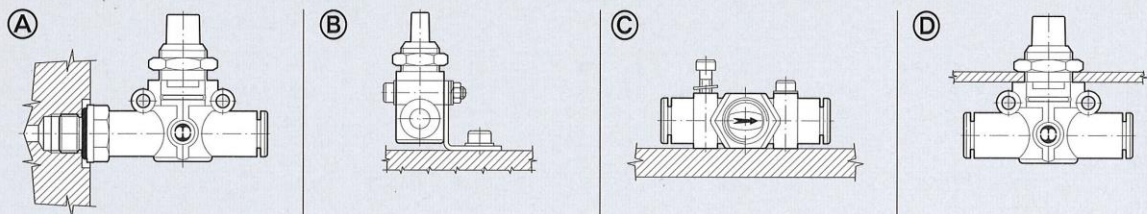
| TECHNICAL DATA | | Ø 6 | Ø 8 |
|-------------------------------|--------|---|-----|
| Operating pressure | MPa | 1 | |
| | bar | 10 | |
| | psi | 145 | |
| Temperature range | °C | - 20 to + 60 | |
| | °F | - 4 to + 140 | |
| Flow rate at 6.3 bar ΔP 1 bar | Nl/min | 280 | 470 |
| Exhaust flow rate at 6.3 bar | Nl/min | 110 | 110 |
| Recommended pipe | | Rilsan PA11 - Nylon 6 - Polyamide 12 - Polypropylene | |
| Fluid | | Lubricated or unlubricated filtered compressed air; if used, must be continuous | |

COMPONENTS

- ① Technopolymer body
- ② Nickel-plated brass insert
- ③ Brass rod
- ④ Technopolymer knob
- ⑤ NBR valve
- ⑥ Stainless steel valve compression spring
- ⑦ Nickel-plated brass wall-mount ring nut
- ⑧ NBR gasket
- ⑨ Technopolymer spring ring
- ⑩ Stainless steel folding spring
- ⑪ Technopolymer locking bushing
- ⑫ Technopolymer release bushing



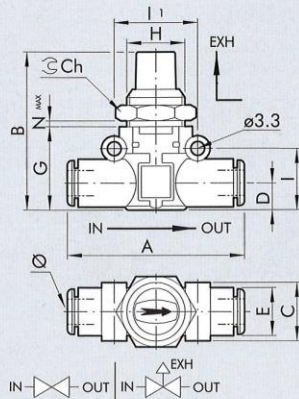
ASSEMBLY OPTIONS



How to mount the V2V/V3V L:

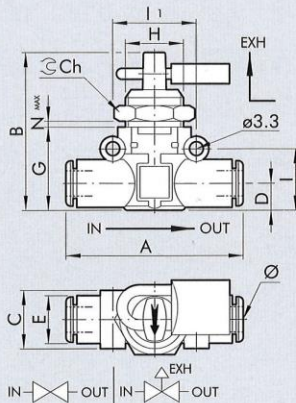
- Fig. A With the male threaded port it is possible to mount the V2V/V3V L straight onto the female thread.
- Fig. B Fixing to the plate with the special SQU L bracket.
- Fig. C There are two robust rings on the plastic body for fixing the V2V/V3V L straight onto the wall.
- Fig. D The ring nut is screwed onto the threaded metal part of the V2V/V3V L body for panel mounting.

V2V/V3V L PIPE-PIPE



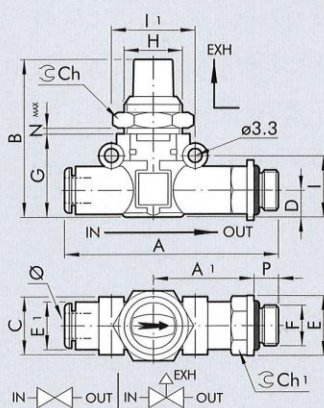
| Code | Ref. | Ø | A | B | C | D | E | G | H | I | I1 | Ch | Nmax |
|-------|---------------|---|------|----|------|-----|------|----|-------|------|----|----|------|
| 450-6 | V2V L 6-6 | 6 | 49.4 | 41 | 14.7 | 6.4 | 11.4 | 21 | M15x1 | 14.6 | 20 | 17 | 5.5 |
| - | V3V L 6-6 | | | | | | | | | | | | |
| 450-8 | V2V L 8-8 | 8 | 57.3 | 46 | 18.7 | 9.1 | 13.8 | 26 | M15x1 | 18.7 | 24 | 17 | 5.5 |
| - | V3V L 8-8 KEY | | | | | | | | | | | | |

V2V/V3V L PIPE-PIPE PADLOCKED



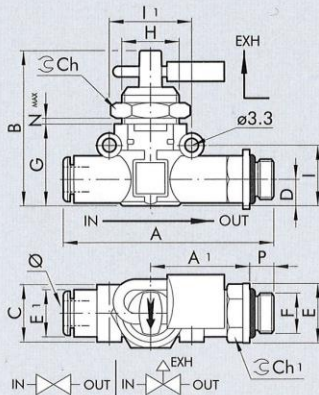
| Code | Ref. | Ø | A | B | C | D | E | G | H | I | I1 | Ch | Nmax |
|------|---------------|---|------|----|------|-----|------|----|-------|------|----|----|------|
| - | V2V L 6-6 KEY | 6 | 49.4 | 41 | 14.7 | 6.4 | 11.4 | 21 | M15x1 | 14.6 | 20 | 17 | 5.5 |
| - | V3V L 6-6 KEY | | | | | | | | | | | | |
| - | V2V L 8-8 KEY | 8 | 57.3 | 46 | 18.7 | 9.1 | 13.8 | 26 | M15x1 | 18.7 | 24 | 17 | 5.5 |
| - | V3V L 8-8 KEY | | | | | | | | | | | | |

V2V/V3V L PIPE-THREAD



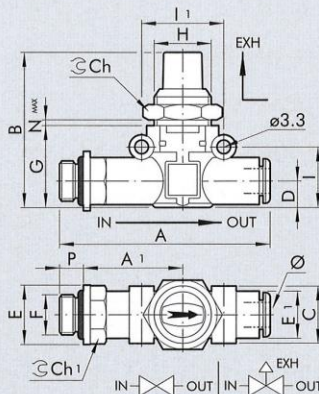
| Code | Ref. | Ø | F | P | A | A1 | B | C | D | E | E1 | G | H | I | I1 | Ch | Ch1 | Nmax |
|-----------|-------------|---|-----|---|------|------|----|------|-----|----|------|----|-------|------|----|----|-----|------|
| 452.018-6 | V2V L 6-1/8 | 6 | 1/8 | 6 | 58.5 | 27.8 | 41 | 14.7 | 6.4 | 14 | 11.4 | 21 | M15x1 | 14.6 | 20 | 17 | 12 | 5.5 |
| - | V3V L 6-1/8 | | | | | | | | | | | | | | | | | |
| 452.014-6 | V2V L 6-1/4 | 6 | 1/4 | 8 | 61.5 | 28.8 | 41 | 14.7 | 6.4 | 18 | 11.4 | 21 | M15x1 | 14.6 | 20 | 17 | 14 | 5.5 |
| - | V3V L 6-1/4 | | | | | | | | | | | | | | | | | |
| 452.018-8 | V2V L 8-1/8 | 8 | 1/8 | 6 | 66.2 | 31.8 | 46 | 18.7 | 9.1 | 15 | 13.8 | 26 | M15x1 | 18.7 | 24 | 17 | 14 | 5.5 |
| - | V3V L 8-1/8 | | | | | | | | | | | | | | | | | |
| 452.014-8 | V2V L 8-1/4 | 8 | 1/4 | 8 | 70.6 | 34.2 | 46 | 18.7 | 9.1 | 18 | 13.8 | 26 | M15x1 | 18.7 | 24 | 17 | 14 | 5.5 |
| - | V3V L 8-1/4 | | | | | | | | | | | | | | | | | |
| 452.038-8 | V2V L 8-3/8 | 8 | 3/8 | 9 | 72.2 | 34.8 | 46 | 18.7 | 9.1 | 22 | 13.8 | 26 | M15x1 | 18.7 | 24 | 17 | 17 | 5.5 |
| - | V3V L 8-3/8 | | | | | | | | | | | | | | | | | |

V2V/V3V L PIPE-THREAD PADLOCKED



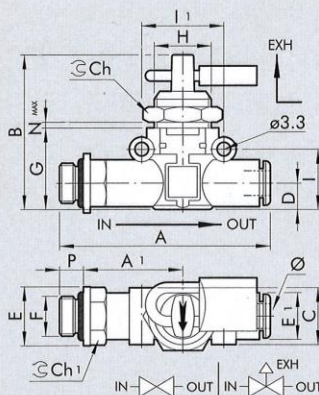
| Code | Ref. | Ø | F | P | A | A1 | B | C | D | E | E1 | G | H | I | I1 | Ch | Ch1 | Nmax |
|------|-----------------|---|-----|---|------|------|----|------|-----|----|------|----|-------|------|----|----|-----|------|
| - | V2V L 6-1/8 KEY | 6 | 1/8 | 6 | 58.5 | 27.8 | 41 | 14.7 | 6.4 | 14 | 11.4 | 21 | M15x1 | 14.6 | 20 | 17 | 12 | 5.5 |
| - | V3V L 6-1/8 KEY | | | | | | | | | | | | | | | | | |
| - | V2V L 6-1/4 KEY | 6 | 1/4 | 8 | 61.5 | 28.8 | 41 | 14.7 | 6.4 | 18 | 11.4 | 21 | M15x1 | 14.6 | 20 | 17 | 14 | 5.5 |
| - | V3V L 6-1/4 KEY | | | | | | | | | | | | | | | | | |
| - | V2V L 8-1/8 KEY | 8 | 1/8 | 6 | 66.2 | 31.8 | 46 | 18.7 | 9.1 | 15 | 13.8 | 26 | M15x1 | 18.7 | 24 | 17 | 14 | 5.5 |
| - | V3V L 8-1/8 KEY | | | | | | | | | | | | | | | | | |
| - | V2V L 8-1/4 KEY | 8 | 1/4 | 8 | 70.6 | 34.2 | 46 | 18.7 | 9.1 | 18 | 13.8 | 26 | M15x1 | 18.7 | 24 | 17 | 14 | 5.5 |
| - | V3V L 8-1/4 KEY | | | | | | | | | | | | | | | | | |
| - | V2V L 8-3/8 KEY | 8 | 3/8 | 9 | 72.2 | 34.8 | 46 | 18.7 | 9.1 | 22 | 13.8 | 26 | M15x1 | 18.7 | 24 | 17 | 17 | 5.5 |
| - | V3V L 8-3/8 KEY | | | | | | | | | | | | | | | | | |

V2V/V3V L THREAD-PIPE



| Code | Ref. | F | Ø | P | A | A1 | B | C | D | E | E1 | G | H | I | I1 | Ch | Ch1 | Nmax |
|-----------|-------------|-----|---|---|------|------|----|------|-----|----|------|----|-------|------|----|----|-----|------|
| 451.018-6 | V2V L 1/8-6 | 1/8 | 6 | 6 | 58.5 | 27.8 | 41 | 14.7 | 6.4 | 14 | 11.4 | 21 | M15x1 | 14.6 | 20 | 17 | 12 | 5.5 |
| - | V3V L 1/8-6 | | | | | | | | | | | | | | | | | |
| 451.014-6 | V2V L 1/4-6 | 1/4 | 6 | 8 | 61.5 | 28.8 | 41 | 14.7 | 6.4 | 18 | 11.4 | 21 | M15x1 | 14.6 | 20 | 17 | 14 | 5.5 |
| - | V3V L 1/4-6 | | | | | | | | | | | | | | | | | |
| 451.018-8 | V2V L 1/8-8 | 1/8 | 8 | 6 | 66.2 | 31.8 | 46 | 18.7 | 9.1 | 15 | 13.8 | 26 | M15x1 | 18.7 | 24 | 17 | 14 | 5.5 |
| - | V3V L 1/8-8 | | | | | | | | | | | | | | | | | |
| 451.014-8 | V2V L 1/4-8 | 1/4 | 8 | 8 | 70.6 | 34.2 | 46 | 18.7 | 9.1 | 18 | 13.8 | 26 | M15x1 | 18.7 | 24 | 17 | 14 | 5.5 |
| - | V3V L 1/4-8 | | | | | | | | | | | | | | | | | |
| 451.038-8 | V2V L 3/8-8 | 3/8 | 8 | 9 | 72.2 | 34.8 | 46 | 18.7 | 9.1 | 22 | 13.8 | 26 | M15x1 | 18.7 | 24 | 17 | 17 | 5.5 |
| - | V3V L 3/8-8 | | | | | | | | | | | | | | | | | |

V2V/V3V L THREAD-PIPE PADLOCKED



| Code | Ref. | F | Ø | P | A | A1 | B | C | D | E | E1 | G | H | I | I1 | Ch | Ch1 | Nmax |
|------|-----------------|-----|---|---|------|------|----|------|-----|----|------|----|-------|------|----|----|-----|------|
| - | V2V L 1/8-6 KEY | 1/8 | 6 | 6 | 58.5 | 27.8 | 41 | 14.7 | 6.4 | 14 | 11.4 | 21 | M15x1 | 14.6 | 20 | 17 | 12 | 5.5 |
| - | V3V L 1/8-6 KEY | | | | | | | | | | | | | | | | | |
| - | V2V L 1/4-6 KEY | 1/4 | 6 | 8 | 61.5 | 28.8 | 41 | 14.7 | 6.4 | 18 | 11.4 | 21 | M15x1 | 14.6 | 20 | 17 | 14 | 5.5 |
| - | V3V L 1/4-6 KEY | | | | | | | | | | | | | | | | | |
| - | V2V L 1/8-8 KEY | 1/8 | 8 | 6 | 66.2 | 31.8 | 46 | 18.7 | 9.1 | 15 | 13.8 | 26 | M15x1 | 18.7 | 24 | 17 | 14 | 5.5 |
| - | V3V L 1/8-8 KEY | | | | | | | | | | | | | | | | | |
| - | V2V L 1/4-8 KEY | 1/4 | 8 | 8 | 70.6 | 34.2 | 46 | 18.7 | 9.1 | 18 | 13.8 | 26 | M15x1 | 18.7 | 24 | 17 | 14 | 5.5 |
| - | V3V L 1/4-8 KEY | | | | | | | | | | | | | | | | | |
| - | V2V L 3/8-8 KEY | 3/8 | 8 | 9 | 72.2 | 34.8 | 46 | 18.7 | 9.1 | 22 | 13.8 | 26 | M15x1 | 18.7 | 24 | 17 | 17 | 5.5 |
| - | V3V L 3/8-8 KEY | | | | | | | | | | | | | | | | | |

Summary Art. No.:

| Type No. | Art. No. |
|-----------|----------|
| 450-6 | 106831 |
| 450-8 | 106832 |
| 451.018-6 | 106833 |
| 451.018-8 | 106834 |
| 451.014-6 | 106835 |
| 451.014-8 | 106836 |
| 451.038-8 | 106837 |
| 452.018-6 | 106838 |
| 452.018-8 | 106839 |
| 452.014-6 | 106840 |
| 452.014-8 | 106841 |
| 452.038-8 | 106842 |